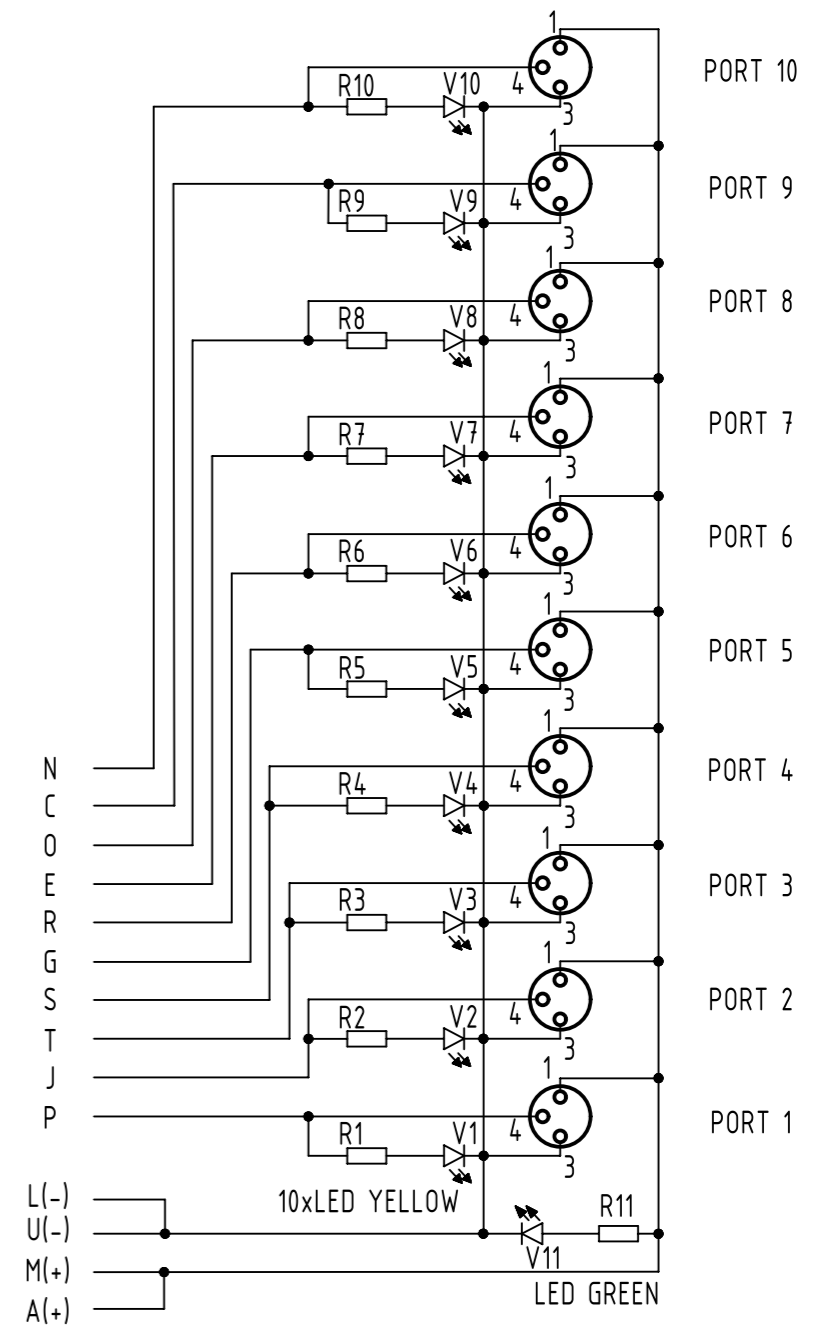


Electrical data:

- Rated voltage: 15-30V DC
- Nominal: 2 A per Contact
- Current: 6 A max total

Loading plan



- Protection level: IP 67
- Temperature range: -20°C...+80°C

All Dimensions in mm		Tech. Character.		Free size tol.		According to production drawing	
	All rights reserved		Created by MUNTEANV	Inspected by POPESCU	Standardisation AVRAM	Date 2017-04-24	State Final Release
	Department HCS - RO		Title har-SAB M8/10/3p M16/14p				Doc-Key / ECM-Nr. 100689725/UGD/000/B 500000118447
HARTING Customised Solutions D-32427 Minden			Type TB	Number 090700430100		Rev. B	Page 1/1